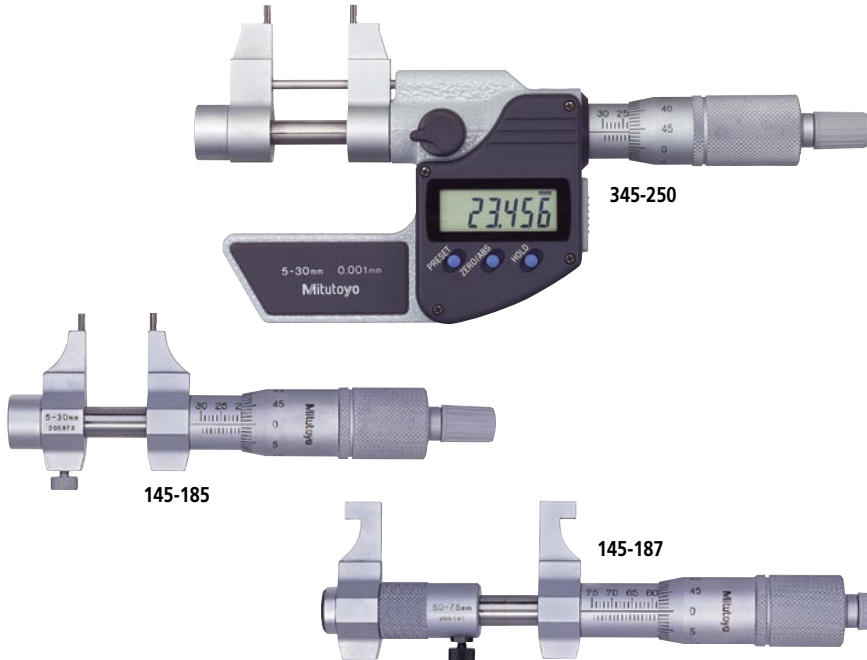


# Inside Micrometers

## SERIES 345, 145 — Caliper Type

### FEATURES

- Caliper type jaws are made of high-grade, tool steel.
- Locking clamp for positive locking of spindle.
- Satin-chrome finished.
- A special holder is available to be used with Mitutoyo Micrometer Stand.



### Technical Data

Accuracy: Refer to the list of specifications.  
(excluding quantizing error for digital models)  
Resolution\*: 0.01mm or .00005"/0.001mm  
Graduation\*\*: 0.01mm or .001"  
Measuring faces: Carbide tipped  
Display\*: LCD  
Battery\*: SR44 (1 pc.), **938882**  
Battery life\*: Approx. 8 months under normal use  
\*Digital models \*\*Analog models

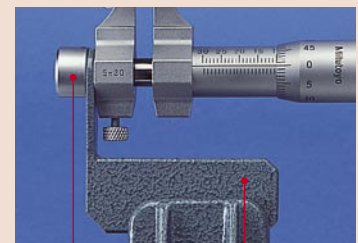
### Function of Digital Model

Zero-setting, Preset, Data hold, Automatic power ON/OFF,  
Data output, inch/mm conversion (inch/mm models)  
Alarm: Low voltage, Counting value composition error

### Optional Accessory

**05CZA662**: SPC cable with data switch (1m)  
**05CZA663**: SPC cable with data switch (2m)  
: Setting ring (See page 122.)

For **145-185, 145-186, 145-193, 145-194**



Cap (300401)

Holder (300400)

### SPECIFICATIONS

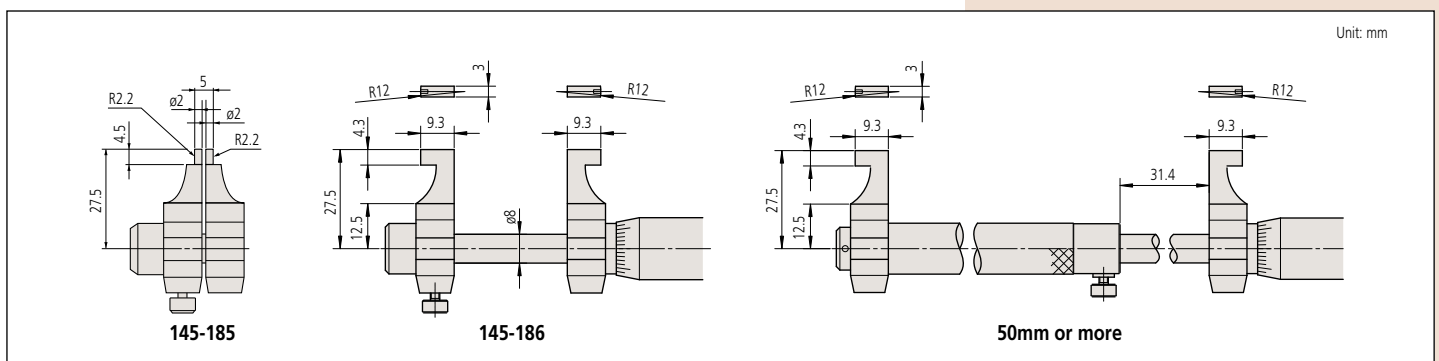
Metric	Order No.	Accuracy
5 - 30mm	<b>345-250</b>	±5μm
25 - 50mm	<b>345-251</b>	±6μm

Inch/Metric	Order No.	Accuracy
.2" - 1.2"	<b>345-350</b>	±.00025"
1" - 2"	<b>345-351</b>	±.0003"

Metric	Order No.	Accuracy
5 - 30mm	<b>145-185</b>	±5μm
25 - 50mm	<b>145-186</b>	±6μm
50 - 75mm	<b>145-187</b>	±7μm
75 - 100mm	<b>145-188</b>	±8μm
100 - 125mm	<b>145-189</b>	±9μm
125 - 150mm	<b>145-190</b>	±9μm
150 - 175mm	<b>145-191</b>	±10μm
175 - 200mm	<b>145-192</b>	±10μm
200 - 225mm	<b>145-217</b>	±11μm
225 - 250mm	<b>145-218</b>	±11μm
250 - 275mm	<b>145-219</b>	±12μm
275 - 300mm	<b>145-220</b>	±12μm

Inch	Order No.	Accuracy
.2" - 1.2"	<b>145-193</b>	±.00025"
1" - 2"	<b>145-194</b>	±.0003"
2" - 3"	<b>145-195</b>	±.00035"
3" - 4"	<b>145-196</b>	±.0004"

### DIMENSION



Unit: mm