

Point Micrometers

SERIES 342, 142, 112

FEATURES

- IP65 water/dust protection (342 series).
- Pointed spindle and anvil for measuring the web thickness of drills, small grooves, keyways, and other hard-to-reach dimensions.
- 15 degree and 30 degree measuring points are available.
- The measuring points (carbide-tipped) have approximately 0.3mm radius.
- With Ratchet Stop for constant force.
- With SPC output (series 342).
- With digit counter (series 142).



SPECIFICATIONS

| Metric Digital model | | | |
|----------------------|-----------|----------|-------|
| Range | Order No. | Accuracy | Point |
| 0 - 25mm | 342-251 | ±2µm | 15° |
| | 342-261 | ±2µm | 30° |
| 25 - 50mm | 342-252 | ±2µm | 15° |
| | 342-262 | ±2µm | 30° |
| 50 - 75mm | 342-253 | ±2µm | 15° |
| | 342-263 | ±2µm | 30° |
| 75 - 100mm | 342-254 | ±3µm | 15° |
| | 342-264 | ±3µm | 30° |

| Metric | | | |
|----------|-----------|----------|-------|
| Range | Order No. | Accuracy | Point |
| 0 - 25mm | 142-153 | ±3µm | 15° |
| | 142-201 | ±3µm | 30° |

| Metric | | | |
|------------|-----------|----------|-------|
| Range | Order No. | Accuracy | Point |
| 0 - 25mm | 112-165 | ±3µm | 15° |
| | 112-153* | ±3µm | 15° |
| | 112-213 | ±3µm | 30° |
| | 112-201* | ±3µm | 30° |
| 25 - 50mm | 112-166 | ±3µm | 15° |
| | 112-154* | ±3µm | 15° |
| | 112-214 | ±3µm | 30° |
| | 112-202* | ±3µm | 30° |
| 50 - 75mm | 112-167 | ±3µm | 15° |
| | 112-155* | ±3µm | 15° |
| | 112-215 | ±3µm | 30° |
| | 112-203* | ±3µm | 30° |
| 75 - 100mm | 112-168 | ±4µm | 15° |
| | 112-156* | ±4µm | 15° |
| | 112-216 | ±4µm | 30° |
| | 112-204* | ±4µm | 30° |

*The points have not carbide tips.

| Inch/Metric Digital model | | | |
|---------------------------|-----------|----------|-------|
| Range | Order No. | Accuracy | Point |
| 0 - 1" | 342-351 | ±.0001" | 15° |
| | 342-361 | ±.0001" | 30° |
| 1" - 2" | 342-352 | ±.0001" | 15° |
| | 342-362 | ±.0001" | 30° |
| 2" - 3" | 342-353 | ±.0001" | 15° |
| | 342-363 | ±.0001" | 30° |
| 3" - 4" | 342-354 | ±.00015" | 15° |
| | 342-364 | ±.00015" | 30° |

| Inch | | | |
|--------|-----------|----------|-------|
| Range | Order No. | Accuracy | Point |
| 0 - 1" | 142-177 | ±.00015" | 15° |
| | 142-225 | ±.00015" | 30° |

| Inch | | | |
|---------|-----------|----------|-------|
| Range | Order No. | Accuracy | Point |
| 0 - 1" | 112-189 | ±.00015" | 15° |
| | 112-177* | ±.00015" | 15° |
| | 112-237 | ±.00015" | 30° |
| | 112-225* | ±.00015" | 30° |
| 1" - 2" | 112-190 | ±.00015" | 15° |
| | 112-178* | ±.00015" | 15° |
| | 112-238 | ±.00015" | 30° |
| | 112-226* | ±.00015" | 30° |
| 2" - 3" | 112-191 | ±.00015" | 15° |

*The points have not carbide tips.



(Refer to the page 9 for details.)

Technical Data

Accuracy: Refer to the list of specifications. (excluding quantizing error for digital models)
 Resolution*: 0.001mm or .00005"/0.001mm
 Graduation**: 0.01mm or .001"
 Display*: LCD
 Battery*: SR44 (1 pc.), 938882
 Battery life*: Approx. 1.2 years under normal use
 Dust/Water protection level*: IP65
 *Digital models **Analog models

Function of Digital Model

Origin-set, Zero-setting, Data hold, Automatic power ON/OFF, inch/mm conversion (inch/mm models) Data hold
 Alarm: Low voltage, Counting value composition error

Optional Accessory for Digital Model

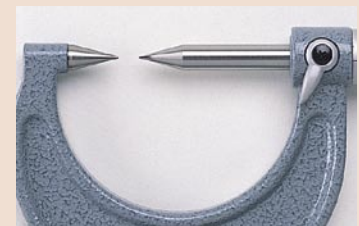
- 05CZA662: SPC cable with data switch (1m)
- 05CZA663: SPC cable with data switch (2m)



Tip angle: 15° (SR0.3)



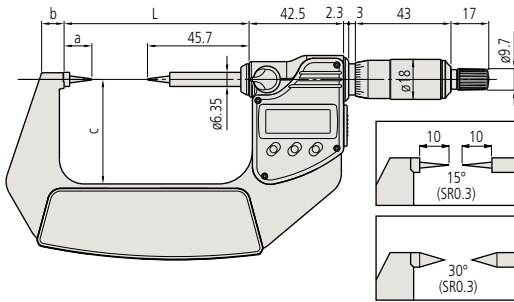
Tip angle: 30° (SR0.3)



DIMENSION

Unit: mm

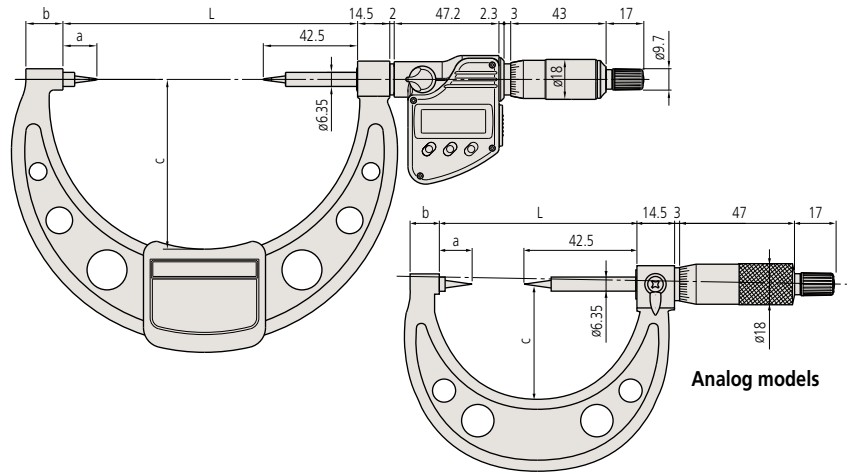
Digital models up to 75mm



| Range | L | a | b | c |
|------------|---------------|-------------|-----------|-----------|
| 0 - 25mm | 58.2 (55.3) | 12.5 (12.8) | 7.3 (10) | 32 (38) |
| 25 - 50mm | 83.2 (80.3) | 12.5 (12.8) | 10.1 (12) | 47 (49) |
| 50 - 75mm | 108.2 (105.3) | 12.5 (12.8) | 11.5 (14) | 60 (60) |
| 75 - 100mm | 132.8 (132.8) | 15.3 (15.3) | 16.7 (17) | 76.5 (79) |

() : Analog model

Digital models over 75mm



Analog models



(Refer to the page 9 for details.)

Technical Data

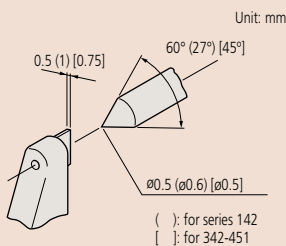
Accuracy: Refer to the list of specifications.
(excluding quantizing error for digital models)
Resolution*: 0.001mm or .00005"/0.001mm
Graduation**: 0.01mm or .001"
Display*: LCD
Battery*: SR44 (1 pc.), **938882**
Battery life*: Approx. 1.2 years under normal use
(3 years: Quickmike type)
Dust/Water protection level*: IP65
*Digital models **Analog models

Function of Digital Model

Origin-set, Zero-setting, Data hold, Power ON/OFF*, Data output, inch/mm conversion (inch/mm models)
*Only for Quickmike type
Alarm: Low voltage, Counting value composition error

Optional Accessory for Digital Model

05CZA662: SPC cable with data switch (1m)
05CZA663: SPC cable with data switch (2m)
937387: SPC cable for Quickmike type (1m)
965013: SPC cable for Quickmike type (2m)



Crimp Height Micrometers

SERIES 342, 142, 112 — Point Spindle and Blade Anvil

FEATURES

- IP54/65 water/dust protection (342 series).
- Measures the height of crimp contacts.
- With Ratchet Stop for constant force.
- With SPC output (series 342).
- With digit counter (series 142).



SPECIFICATIONS

| Metric | Digital model | |
|----------|----------------|----------|
| Range | Order No. | Accuracy |
| 0 - 20mm | 342-271 | ±3μm |

| Metric | Quickmike type | |
|----------|----------------|----------|
| Range | Order No. | Accuracy |
| 0 - 15mm | 342-451 | ±3μm |

| Metric | Mechanical counter model | |
|----------|--------------------------|----------|
| Range | Order No. | Accuracy |
| 0 - 25mm | 142-402/142-403* | ±3μm |

* 0.001mm reading is obtained with vernier.

| Inch/Metric | Digital model | |
|-------------|----------------|----------|
| Range | Order No. | Accuracy |
| 0 - 0.8" | 342-371 | ±.00015" |

| Metric | Mechanical counter model | |
|----------|--------------------------|----------|
| Range | Order No. | Accuracy |
| 0 - 25mm | 112-401 | ±3μm |